

SHOP EQUIPMENT

ENGINE / TRANSMISSION



ENGINE STANDS

STOCK#	CAPACITY (LBS)	ROTATION	QUALITY GRADE	WGT
O 1726	1000	360 DEG	USA PRO	96
O 2007	750	360 DEG	IMPORT ECONOMY	47
O 2010	1000	360 DEG	IMPORT ECONOMY	52
O 2012	1250	360 DEG	IMPORT ECONOMY	74



ENGINE STAND

STOCK#	CAPACITY (LBS)	ROTATION	QUALITY GRADE	WGT
O 1735	2000	360 DEG	USA PRO	265



DIESEL ENGINE REVOLVER STAND

STOCK#	CAPACITY (LBS)	ROTATION	QUALITY GRADE	WGT
O 1750A	6000	360 DEG	USA PRO	722



BENCH MOUNT HOLDING FIXTURE

STOCK#	CAPACITY (LBS)	ROTATION	STOPS AT	QUALITY GRADE	WGT
O 7020	250	360 DEG	90 DEG	USA PRO	11



LOW LIFT TRANSMISSION JACKS

STOCK#	CAPACITY (LBS)	LIFT RANGE	QUALITY GRADE	WGT
O 5019	2200	8 1/4 - 36 1/2"	USA PRO	330
O 1521	1000	6 1/2 - 29 1/2"	IMPORT ECONOMY	141
O 1522	2000	6 1/2 - 35"	IMPORT ECONOMY	328

UNIVERSAL MOUNTING ARM



STOCK#	USE
O 305811	USE WITH O 5019 HAS 5 POINTS OF ADJUSTMENT FOR ATTACHMENT TO MOUNTING HOLES



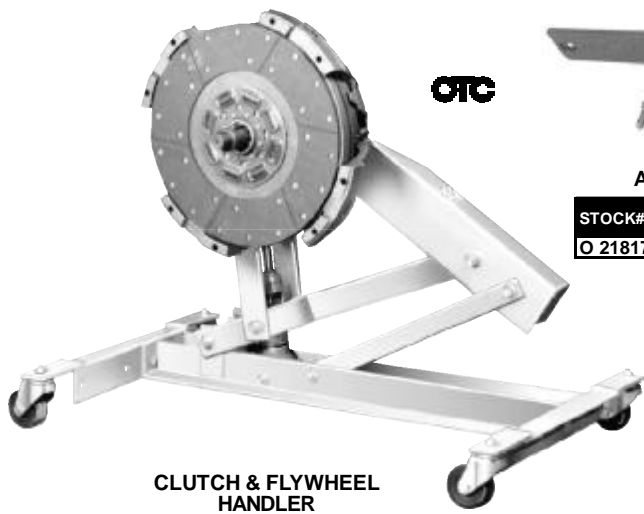
HIGH LIFT TRANSMISSION JACKS

STOCK#	CAPACITY (LBS)	LIFT RANGE	TILT DEGREES (FRONT/BACK/SIDE)	LIFT ACTION	QUALITY GRADE	WGT
O 1791	1000	36 - 73 1/2"	50 / 38 / 14	FOOT	USA PRO	118
O 1792	1000	36 - 73 1/2"	50 / 38 / 14	HAND	USA PRO	118
O 1728	1000	34 1/2 - 75"	50 / 20 / 10	HAND & AIR	USA PRO	117
O 5078	2000	41 1/2 - 70"	50 / 38 / 14	FOOT & AIR	USA PRO	254
O 1793	1000	34 7/16 - 70 7/8"	42 / 46 / 12	FOOT	IMPORT ECONOMY	162
O 1794	1000	36 - 74 7/8"	24 / 19 / 20	HAND & AIR	IMPORT ECONOMY	166



DUAL WHEEL DOLLIES

STOCK#	CAPACITY (LBS)	LIFT	TILT	QUALITY GRADE	WGT
O 1770A	1500	4 3/4"	4 DEG	USA PRO	165
O 1769	1500	6 1/2"	7 DEG	IMPORT ECONOMY	187



OTC



FLYWHEEL ATTACHMENT

STOCK#	USE
O 218174	USE WITH O 5015

CLUTCH & FLYWHEEL HANDLER

STOCK#	CAPACITY	LIFT RANGE	INCLUDES	QUALITY GRADE	WGT
O 5015	14 & 15 1/2" CLUTCHES UP TO 150 LBS	9 - 37"	2" SPINE SHAFT W/ 1 1/4 PILOT	USA PRO	95

SHOP EQUIPMENT

CLUTCH / WHEEL / DRUM



OTC

BRAKE DRUM DOLLY

STOCK#	CAPACITY	HEIGHT ADJUST	HANDLE ADJUST	QUALITY GRADE	WGT
O 5017	15 & 16 1/2" DRUMS	5"	37" - 55"	USA PRO	52



OTC

CLUTCH & FLYWHEEL HANDLER

STOCK#	CAPACITY	LOW HEIGHT	SWIVEL HEAD	INCLUDES	QUALITY GRADE	WGT
O 5018	14 & 15 1/2" CLUTCHES UP TO 250 LBS	13"	360 DEG	2" SPINE SHAFT W/ 1 1/4 PILOT	USA PRO	125



OTC

WHEEL MATE WHEEL HANDLER

STOCK#	LIFT HEIGHT	QUALITY GRADE	WGT
O 5100	14"	USA PRO	120



OTC

BACK BUDDY II DRUM & HUB HANDLER

STOCK#	LIFT HEIGHT	INCLUDES	QUALITY GRADE	WGT
O 5090	14"	LUBE TRAY & TOOLBOX	USA PRO	115



OTC

CLEVER LEVER WHEEL DOLLIES

STOCK#	DIAMETER CAPACITY	QUALITY GRADE	WGT
O 5095	24 - 36"	USA PRO	20
O 5096	36 - 48"	USA PRO	20